

FEATURES & SPECIFICATIONS

INTENDED USE — Provides a minimum of 90 minutes of illumination for the rated wattage upon loss of AC power. Ideal for applications requiring attractive unit equipment with quick installation.

CONSTRUCTION — White, compact, low-profile contemporary design. Engineering-grade thermoplastic housing is impact-resistant, scratch-resistant and corrosion-proof. UL94V-0 flame rating. UV-stable resin resists discoloration from natural and man-made light sources.

Patented, MR24, multi-faceted reflector significantly improves photometric performance – 48 percent more light delivered to path of egress.

Unique track-and-swivel arrangement permits full range of direction of lamp head adjustment. **US Patent No. D-532,918. Patent-pending Quick-Mount for simple installation.**

Tool-less access for maintenance. Rigid conduit entry on both top and side on large units (ELM654, ELM1254, and ELM1272), and top only for small units (ELM618 and ELM627).

Low-profile, integrated test switch/pilot light.

OPTICS — Two 9W wedge-based krypton lamps (standard) offer 80 percent more light output than standard 9W incandescent lamps.

ELECTRICAL — Universal input voltage capability (120 through 277 volt, 50 or 60 Hz).

Current-limiting charger maximizes battery life and minimizes energy consumption. Provides low operating costs.

SHORT-CIRCUIT PROTECTION – CURRENT-LIMITING CHARGER CIRCUITRY PROTECTS PRINTED CIRCUIT BOARD FROM SHORTS.

Thermal protection senses circuitry temperature and adjusts charge current to prevent overheating and charger failure.

Thermal compensation adjusts charger output to provide optimum charge voltage relative to ambient temperature.

Regulated charge voltage maintains constant-charge voltage over a wide range of line voltages. Prevents over/under charging that shortens battery life and reduces capacity.

Filtered charger input minimizes charge voltage ripple and extends battery life.

AC/LVD reset allows battery connection before AC power is applied and prevents battery damage from deep discharge

Battery: Sealed, maintenance-free lead-acid (SLA) battery standard. Automatic recharge after a 90-minute discharge. Single-circuit battery connection. Sealed, maintenance-free nickel-cadmium battery optional.

INSTALLATION — Ceiling mount standard. Universal J-box mounting pattern.

Catalog Number
Notes
Type



QUANTUM[®]

Thermoplastic Emergency Light

ELM 6-12

High Capacity Units
Lead-Acid (SLA) Battery

LISTINGS — UL listed. Meets UL 924, NFPA 101, NFPA 70-NEC and OSHA illumination standards.

WARRANTY — 3-year limited warranty. Complete warranty terms located at

www.acuitybrands.com/CustomerResources/Terms_and_conditions.aspx

NOTE: Actual performance may differ as a result of end-user environment and application. Specifications subject to change without notice.

ORDERING INFORMATION

For shortest lead times, configure product using **standard options (shown in bold)**.

Example: ELM618

Family	Lamp type	Options ³
ELM618 6V, 18W	6-Volt MR 24 Composite¹	N Maintenance-free nicad battery ⁴
ELM627 6V, 27W	(blank) 9W/6V krypton	RO Less heads ⁵
ELM654 6V, 54W	12-Volt MR 24 Composite²	
ELM1254 12V, 54W	(blank) 9W/12V krypton	
ELM1272 12V, 72W		

Options Availability Guide

Product	Size	N ⁴	RO ⁵
ELM618	S		■
ELM627	S		■
ELM654	L		■
ELM1254	L	■	■
ELM1272	L		■

Accessories: Order as separate items.

ELA VS2	Polycarbonate vandal shield (1/8" thick) ⁶
ELA WG2M	Wireguard (21-1/4"W x 15"H x 12"D) ⁷
ELA MR24	Compact MR24 remote lamp head ⁸
	ELA MR24 K0606 (6W, 6V krypton)
	ELA MR24 K0906 (9W, 6V krypton)
	ELA MR24 K0912 (9W, 12V krypton)

Notes

- 1 Available on ELM618, ELM627, and ELM654 only.
- 2 Available on ELM1254 only.
- 3 See Options Availability Guide.
- 4 Available on ELM1254 only.
- 5 Not available with nicad batteries..
- 6 See spec sheet [ELA-VS-VS2](#).
- 7 See spec sheet [ELA-WG](#).
- 8 See spec sheet [ELA-MR24](#).

ELM 6-12 QUANTUM® Thermoplastic Emergency Light

SPECIFICATIONS

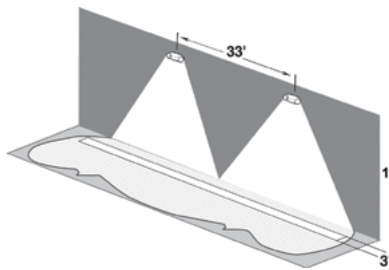
ELECTRICAL									
Primary Circuit									
Type	AC input			Output volts	Watts output				
	Volts	Amps	Max watts		1-1/2 hrs.	2 hrs.	3 hrs.	4 hrs.	
ELM618	120	.167	5.2	6	18	13.5	9	3	
	277	.072	5.6						
ELM627	120	.10	5.2	6	27	20	13.5	10	
	277	.04	5.6						
ELM654	120	.250	7.4	6	54	40.5	27	20	
	277	.108	7.4						
ELM1254	120	.250	11	12	54	40.5	27	20	
	277	.108	11.1						
ELM1272	120	.250	11	12	72	54	36	27	
	277	.108	11.1						

BATTERY				
Sealed Lead Acid (SLA)				
Voltage	Shelf life ¹	Typical life ¹	Maintenance ²	Optimum temperature ³
6/12	12 months	3-5 years	none	60°-90°F (16°-32°C)

BATTERY				
Nickel-Cadmium				
Voltage	Shelf life ¹	Typical life ¹	Maintenance ²	Optimum temperature ³
6/12	3 years	5-7 years	none	32°-100°F (0°-37.8°C)

- 1 At 77°F (25°C).
- 2 All life safety equipment, including emergency lighting for path of egress, must be maintained, serviced and tested in accordance with all National Fire Protection Association (NFPA) and local codes. Failure to perform the required maintenance, service or testing could jeopardize the safety of occupants and will void all warranties.
- 3 Optimum ambient temperature range where unit will provide capacity to 90 minutes. Higher and lower temperatures affect life and capacity. Consult factory for detailed information.

PERFORMANCE DIAGRAMS



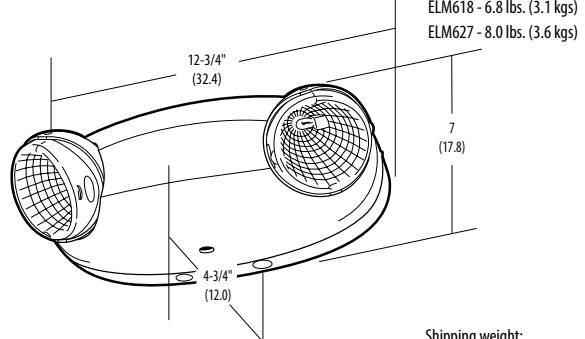
ELM12 Performance Advantage

- 12-volt, 9-watt krypton lamp
- Typical 10-foot mounting height delivers 33 feet center-to-center spacing
- 48% increase in center-to-center spacings over competitive 12-volt higher capacity emergency lighting units.

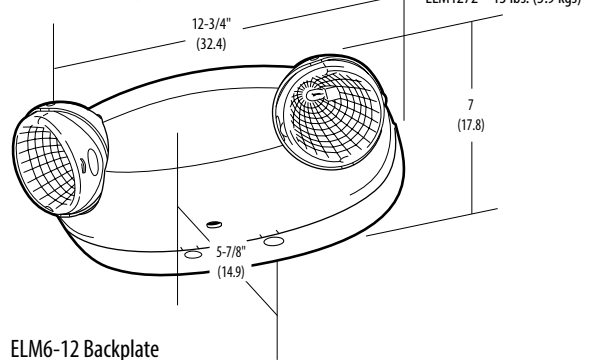
MOUNTING

All dimensions are in inches (centimeters).

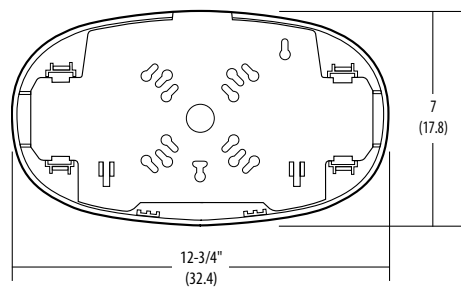
ELM618 and ELM627 Dimensions (small housing)



ELM654, ELM1254 and ELM1272 Dimensions (large housing)



ELM6-12 Backplate



Recommended Center-to-Center Spacing

Lamps	Mounting height				
	7.5'	10'	12'	16'	20'
K0906	25'	31'	29'	27'	23'
K0912	25'	33'	30'	29'	26'